



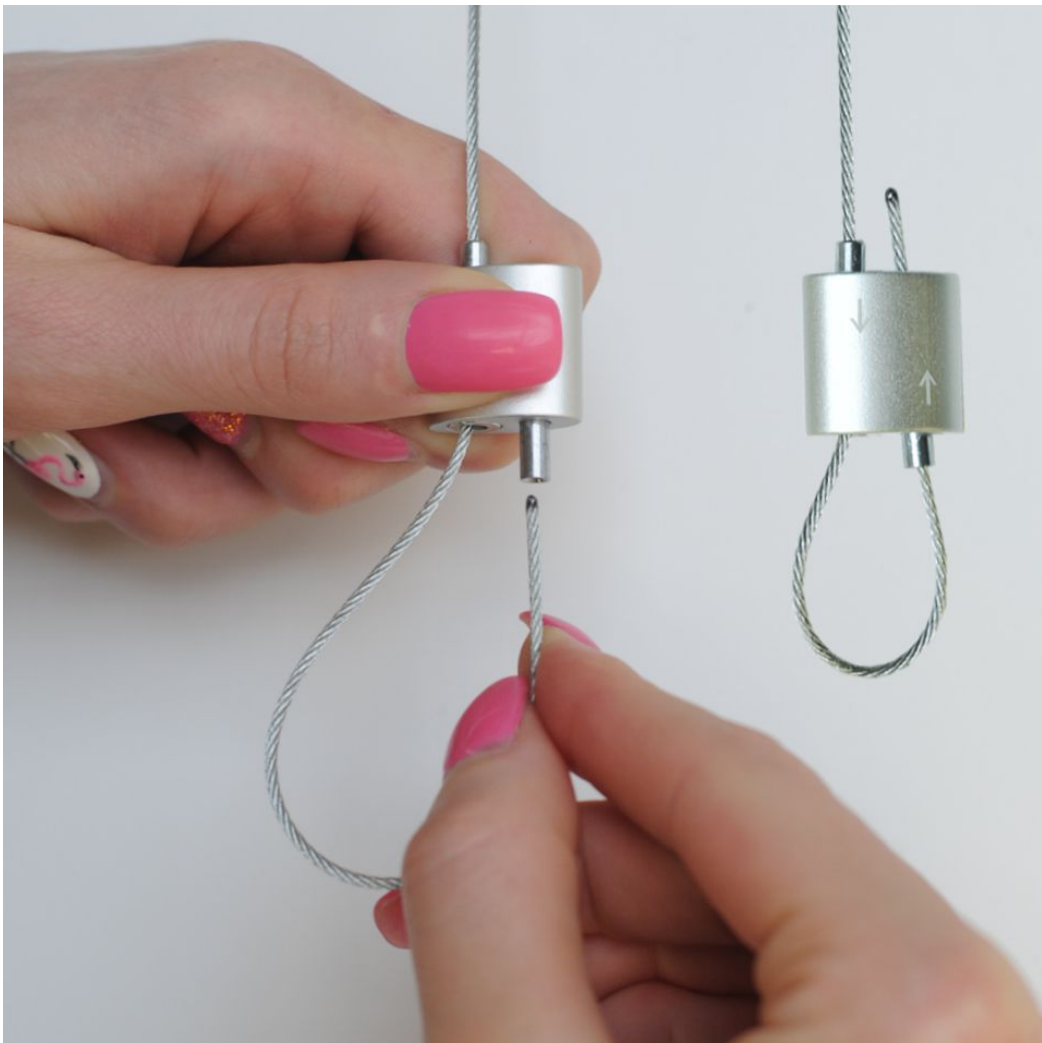
Cable loop kits - self lock fittings

Short Description

- Create an adjustable loop in a suspension cable for fast, neat and secure hanging from roof spaces
- Hang lights, signs, panels and suspended displays from beams, trusses, pipes and trunking
- Kits include 2m cable with preformed hook OR loop; plus Urban Trapeze to make an adjustable loop
- Or buy reels of cable plus Urban Trapeze fittings for creating loops at each end of wires cut on site

Product Images







UT.KIT.J



UT.KIT.H



Description

Cable loops make installation quick and easy

By creating an adjustable loop in a suspension cable with a small hook at the other end of the wire it is easy to suspend items from beams, roof trusses, pipework, trunking or Unistrut - and heights can be infinitely adjusted. The alternative version has a pre-formed loop (instead of the hook), so that a second adjustable loop can be created at the opposite end.

Urban Trapeze is an adjustable cable loop device used to suspend signage, lighting systems, decorations, large mobiles and fixtures such as shop window displays.

Whether you're looping a cable around a purlin or through a hanging eye, cable loops offer a versatile and safe way to use strong (yet slender) wire ropes (from 1.2mm to 1.5mm thick).

- Supplied either as Cable Loop Kits (**Kit J**), Double Loop Kit (**Kit H**) or as individual adjustable grippers plus wire reels to create your own systems.
- Urban Trapeze is incredibly easy to use. Simply insert the cable (wire) and the built-in locking mechanism grips it automatically. To adjust or release, press the clutch button.
- **The cable loop kit** (UT.KIT.J) consists of a 2m long cable with a mini hook at one end, plus an Urban Trapeze fitting - for you to complete the loop as and where required.
- **Double-loop kit** (UT.KIT.H) consists of a 2m cable with a fixed loop at one end. A second loop can be created at the other end using the adjustable Urban Trapeze loop-maker fitting.
- **Individual Urban Trapeze grippers** can be purchased separately, with or without reels of cable.

N.B. Good quality wire cutters are required to achieve a clean cut without fraying the cable to enable snag-free introduction of the cable into the Urban Trapeze fitting..

More Information

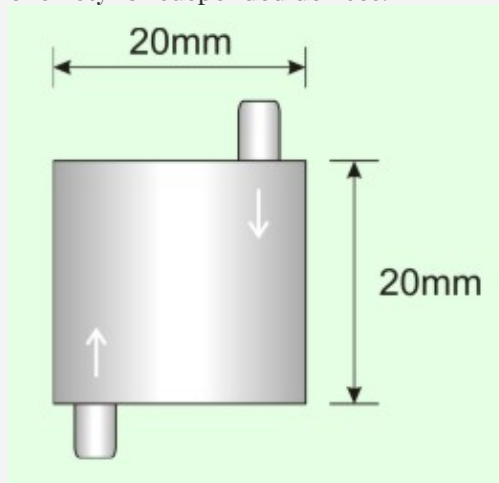
Urban Trapeze is the smarter self-locking wire rope fitting

Urban Trapeze is a clever fitting for creating wire rope or cable loops. The design of Urban Trapeze is compact, and compared with Gripple and Zip-Lock fittings, we consider it very aesthetically pleasing - perfectly at home, suspending displays in a designer shop window or supporting high-quality signs in a contemporary art gallery. The body of this self-lock wire rope fitting is made from sleek anodised aluminium.

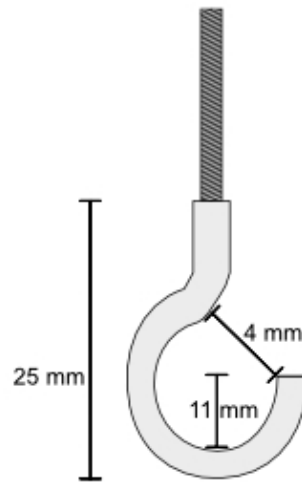
Safe Working Load

1.5mm Urban Trapeze gripper has a safe working load of 20kg with a 1.5mm cable.

With 1.2mm hook-end cable or loop-end cable, the load should be restricted to 10kg to achieve the required margin of safety for suspended devices.

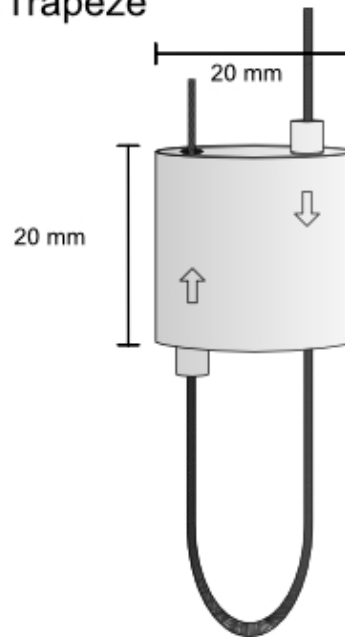


Hook end wire rope



Product Dimensions

Urban Trapeze



Delivery and Returns

- We offer a choice of delivery options tailored to the goods selected and your location, calculated for you automatically in the Checkout. When feasible, you will be offered options for Free, Economy or Next Day delivery.
- Any product returned by the purchaser must be unused and in its original packaging, which should be unmarked. If goods are received damaged or faulty we will take care of the problem.
- For detailed information about Delivery charges or Returns and refund policies, please click on the links below.

Include in Google Feed

Yes

Postable

No

Small parcel

No

Oversize

No

