



---

## Upright feet for wooden and Alu profile frames

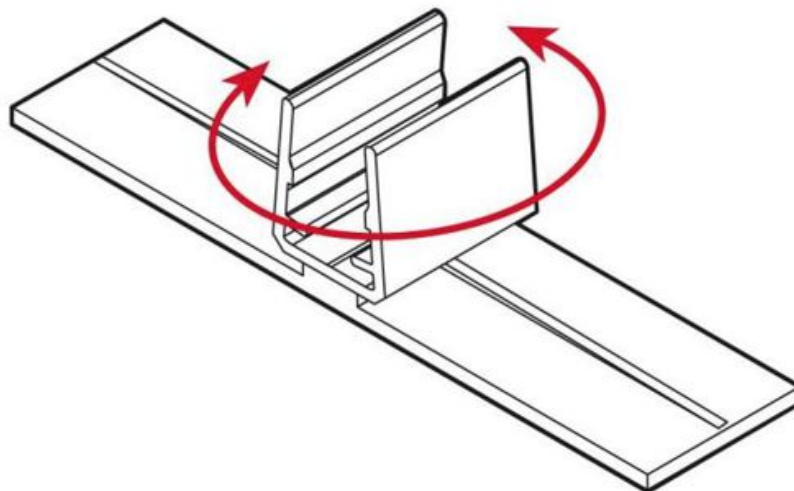
### Short Description

---

- Robust plastic feet for wooden poster frames
- Strudy plastic feet for Aluminium profile frames
- Upright feet for table-top signs

### Product Images

---



## Description

---

### Upright plastic feet for wooden and aluminium poster frames

These feet fit Woodline and Alu profile poster frames. They are made from clear tough polycarbonate. Snap the feet on to the solid edge of the frame to convert a wall mounted poster frame into a great looking table or counter-top sign holding frame.

To view the [wooden poster frames click here](#) or for the [Aluminium profile slot frames here](#)

- Sold as a pair for stability.
- Easy fit snap-on action.
- Durable and re-usable.
- Use landscape or portrait.

The feet clip onto the frame to hold it upright. If you wanted to convert your poster frames into great looking chalkboards try our [plastic chalkboard inserts for use with liquid chalk pens](#).

## Additional Information

---

More Information	For Woodline and Alu Profile ONLY! (We supply similar looking feet for plastic Slim frames - but this size won't fit plastic frames). For reasons of stability: Not suitable for A1 and A0 frames (A2 use with care) Larger stable feet for big frames are available to special order. Please call.
Delivery and Returns	<ul style="list-style-type: none"><li>• We offer a choice of delivery options tailored to the goods selected and your location, calculated for you automatically in the Checkout. When feasible, you will be offered options for Free, Economy or Next Day delivery.</li><li>• Any product returned by the purchaser must be unused and in its original packaging, which should be unmarked. If goods are received damaged or faulty we will take care of the problem.</li><li>• For detailed information about Delivery charges or Returns and refund policies, please click on the links below.</li></ul>
Include in Google Feed	Yes
Postable	No
Small parcel	No
Oversize	No

