



Stainless Steel Ticket stands for food display

Short Description

- Hot and Cold food counter ticket holders
- Stainless Steel hygienic food ticket display holder
- Available in two heights 150mm and 75mm

Product Images















Description

Stainless Steel food counter ticket stand - Hot or Cold counters

These ticket stands are made from stainless steel so they can be sterilised making them ideal for use, for example, by butchers for pricing meat displays. Price stands can also be used to display tickets in other food display situations ranging from food hall fine cheese counters to market traders' fish counters.

- Butchers ticket stands have a loop at the top to take a typical price ticket printed onto thin rigid plastic

(about 0.6mm thick is ideal - but there is quite a lot of leeway).

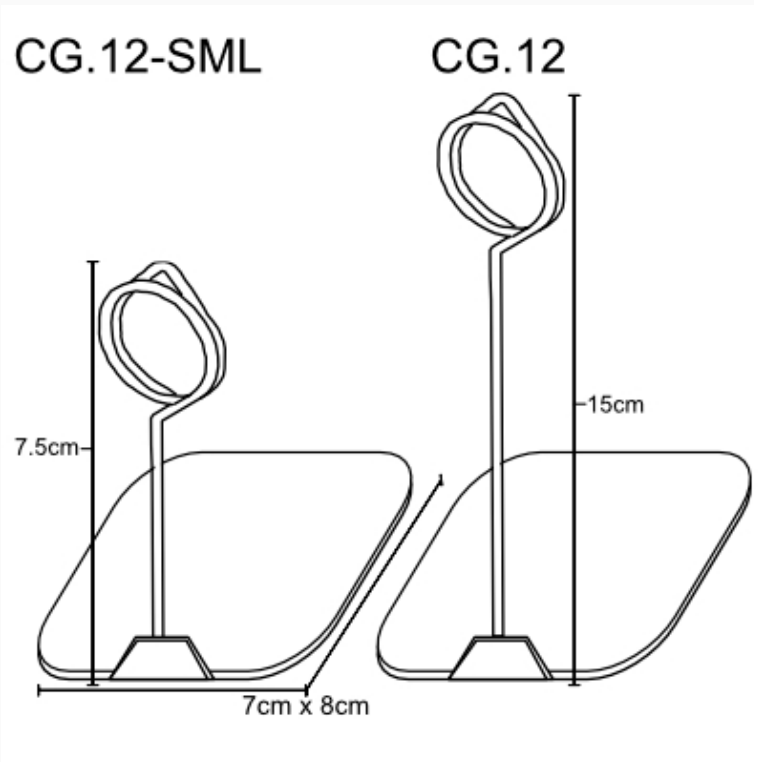
- Overall height is 15cm (6") or 7.5cm (3") .Shiny stainless steel base is 8cm x 7cm (about 3" square) and will slip under food trays etc. Shipped with a protective film to protect the polished stainless steel surface.
- Suitable for use as a hot cabinet ticket holder.
- Can also be used as a price ticket holder in many other retail situations ranging from natural soaps and cosmetics to giftware where the small stainless steel sign stand can look funky and quirky.

Additional Information

More Information

Please remove the protection film from the polished metal base before use.
Card thickness from business card thickness (400 micron = 0.4mm) to credit card thickness (600 micron = 0.6mm) up to display board 1mm thick.
Card size: around 4" wide by 3" high is ideal (10cm x 7.5cm)
Can be used with our [write-on chalk cards](#) (but these chalk cards are not suitable for use in heated display cabinets).

Product Dimensions



Delivery and Returns

- We offer a choice of delivery options tailored to the goods selected and your location, calculated for you automatically in the Checkout. When feasible, you will be offered options for Free, Economy or Next Day delivery.
- Any product returned by the purchaser must be unused and in its original packaging, which should be unmarked. If goods are received damaged or faulty we will take care of the problem.
- For detailed information about Delivery charges or Returns and refund policies, please click on the links below.

Include in Google Feed

Yes

Postable

No

Small parcel

No

Oversize

No

