



Clip on ticket holder: small double-sided

Short Description

- Clip on card holder double ended for up to 9mm information cards
- Information holder for printed panel tickets upto 9mm thickness

Product Images







Clip secures
your price card

Swivel joint

Clip attaches
to a carton or
product



Description

Double sided ticket clip for panels and cartons

Double-sided clip on ticket holder to attach pricing labels and small signs to thin walled products, cardboard display outers and food containers - to name but a few applications.

- Swivel knuckle joint made from white plastic connects two clear plastic clips.
- The clips contain a tiny spring steel component to attach like a tiny clothes peg - but much neater and professional looking.
- Typically used for clipping signs onto merchandise in stores but also popular as a display clip in many varied visual merchandising applications.
- The clips will attach successfully onto most corrugated cardboard, glass vases, thin walled food containers and plates. The jaws are more tolerant of different thicknesses than versions with push in card grippers up a maximum of 9mm.
- Lower cost shipping by post applies for up to 50 CG.04

Additional Information

More Information

Specifications

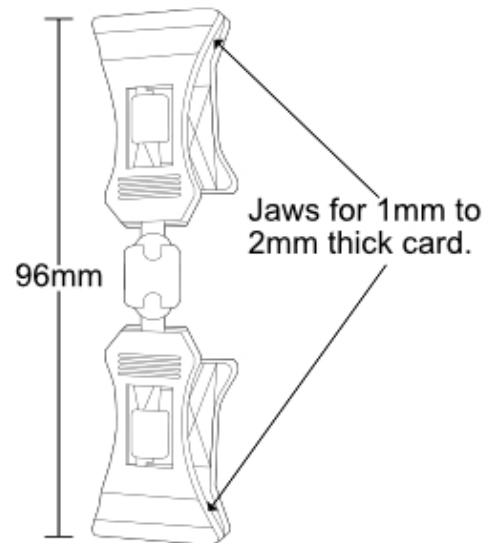
Double ended or twin card clips are made from durable polycarbonate. The central knuckle joint allows the two ends of the clip to bend and swivel in a range of directions.

The jaws of the clips will hold a card or similar say 1mm or 2mm thick. The clips will also attach to most cardboard boxes or display outers.

These double ended clips are also valuable for attaching onto fabrics, garments, curtains, swatches etc.

Product Dimensions

CG.04



Delivery and Returns

- We offer a choice of delivery options tailored to the goods selected and your location, calculated for you automatically in the Checkout. When feasible, you will be offered options for Free, Economy or Next Day delivery.
- Any product returned by the purchaser must be unused and in its original packaging, which should be unmarked. If goods are received damaged or faulty we will take care of the problem.
- For detailed information about Delivery charges or Returns and refund policies, please click on the links below.

Include in Google Feed

Yes

Postable

No

Small parcel

No

Oversize

No

