

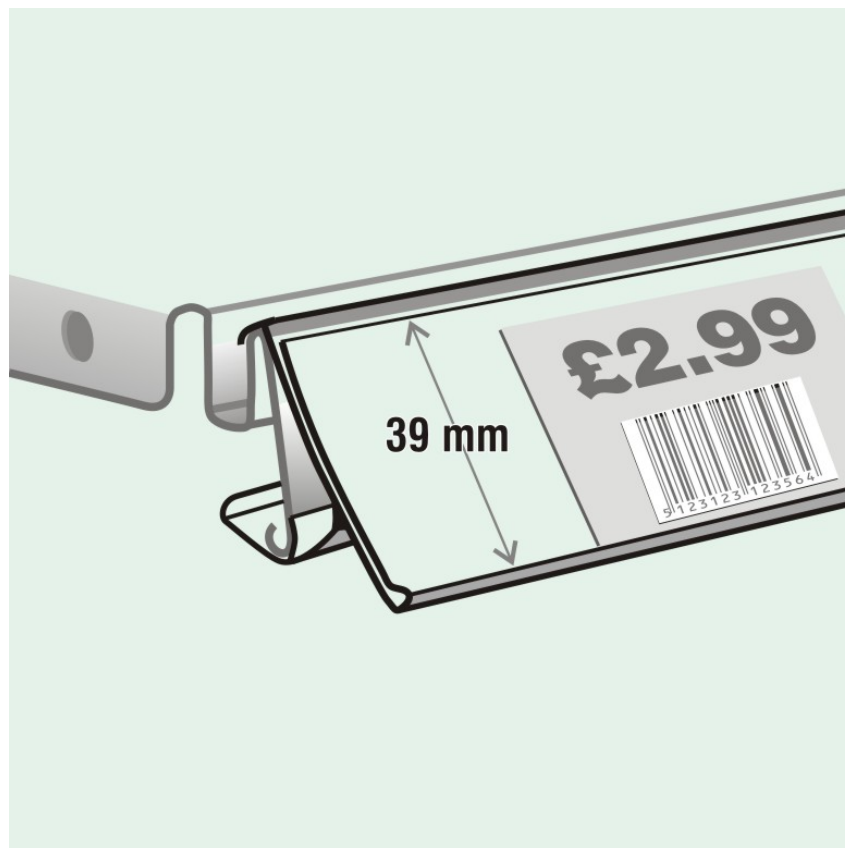


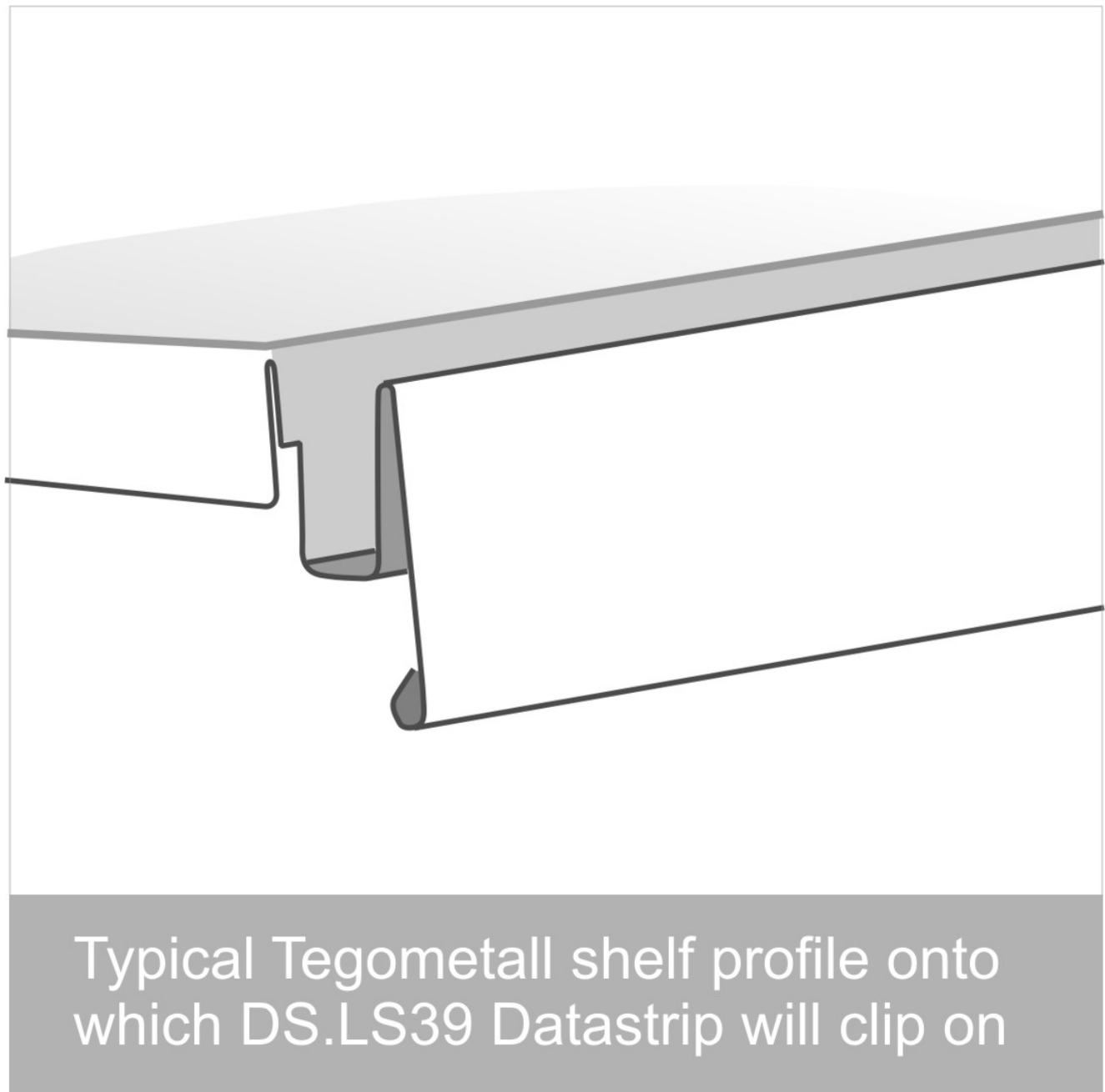
Data strip 2 position to suit Tegometal shelves

Short Description

- Angled 2 position Scanner rail ticket holder strip which clips onto Tego style shelves
- Angled 2 position Data strip EPOS ticket holder clear front 39mm high x 99cm lengths
- White data strip with clear front for use with Tegometal shelving in 990mm lengths

Product Images





Description

2 position data strip for tego shelves

Ticket Rail to suit Tegometall shelves and some other popular makes of metal retail shelves (e.g. Radford and Eden).

- Easy to fit
- 2 position fitment for easy reading on lower shelves

Two-position data strip: in many cases this shelf edge ticket rail will clip on at 2 different angles. Angling the Data Strip on lower shelves makes it easier to read labels and product descriptions.

Supplied in 99cm lengths (actually 990mm to fit 1m shelves) with clear plastic front and white rear part of the shelf edge extrusion.

When should I expect my order to arrive?

We hold huge quantities of this popular data strip here in our UK warehouse ready to ship. Next day delivery options available in the checkout

Buy with confidence at Green Magic Co. one of the UK's largest point of sale specialists.

I don't know if this data strip will fit my shelves

If you need help choosing which data strip is right for you, please can our friendly sales staff who will be able to advise you. We can always cut you a small sample piece for you to try first. All we ask is you pay for the postage.

More Information

What is Tegometall?

Tegometall (Tego shelves or Tegometal) is a leading brand of shelving systems which other manufacturers have mimicked. However not all metal shelving systems are the same and this data strip will only fit types which feature a formed metal front edge with this specific shape and size.

The illustration below shows a typical shelf profile onto which our two-position data strip will fit:



Our 2-position data strip also suits Radford and Eden shelving. For larger orders (minimum 150-200 lengths) we can often offer special lengths and colours other than the standard white colour.

Delivery and Returns

- We offer a choice of delivery options tailored to the goods selected and your location, calculated for you automatically in the Checkout. When feasible, you will be offered options for Free, Economy or Next Day delivery.
- Any product returned by the purchaser must be unused and in its original packaging, which should be unmarked. If goods are received damaged or faulty we will take care of the problem.
- For detailed information about Delivery charges or Returns and refund policies, please click on the links below.

Include in Google Feed

Yes

Postable

No

Small parcel

No

Oversize

No

