



## Modern Minimalist Office Door Signs - Smartquick Range A6 A5 A4 A3

### Short Description

- Flat-fronted designer minimalist office door signs
- A6, 150x150, A4 & A3 SmartQuick flat front quick change door signs
- Very high-quality corporate office name plates with removable shatterproof polycarb cover plate

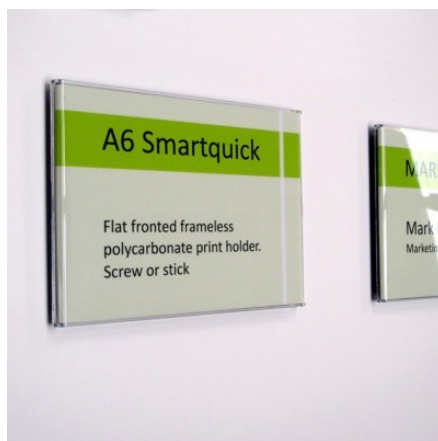
### Product Images



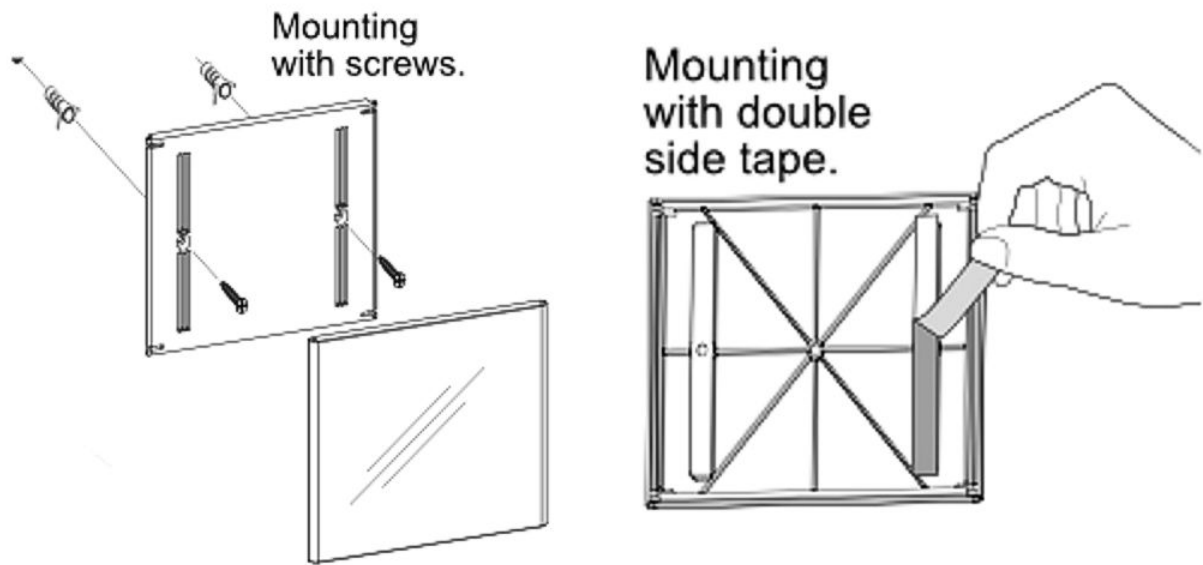


**SHADY GROVE**  
PRIVATE SCHOOL

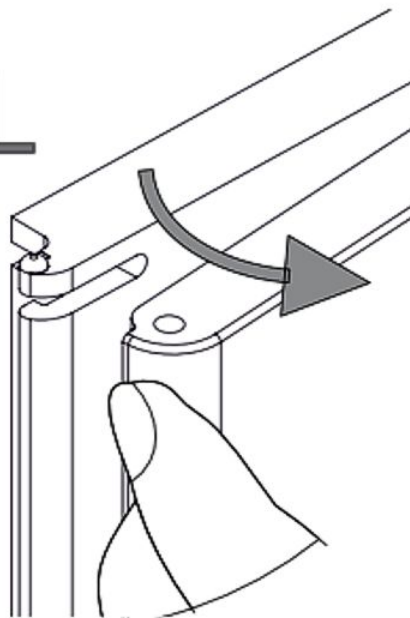
**Headteacher**







**PULL**



## Description

---

### Flat front minimalist office door signs

Introducing our flat front minimalist office door signs, perfect for modern spaces and contemporary interiors. The Smartquick range of corporate office nameplates and sign holders accepts paper inserts, allowing facilities managers to easily keep information signs and door nameplates up-to-date with matching styling across all sizes.

The sleek flat design of Smartquick features a discrete front opening system similar to its curved-face Pixquick family. Constructed with ultra-high-quality polycarbonate, these door signs offer a minimalist and elegant solution suitable for even the most prestigious offices or facilities.

Changing the sign insert is a breeze with the cassette-style flip-open front. Our A6 size at 10x15 cm (approx) and

square format at 15x15 cm are perfectly sized for use as door signs for private offices, surgeries, and consultation rooms. The A4 size is ideal for larger spaces for conference rooms and displaying certificates. A3 size is also available from stock for general wayfinding and fire evacuation plans.

All models come with fixing screws and alternative VHB adhesive mounting tape (for smooth surfaces such as glass) for hassle-free installation. The gloss finish and crystal-clear hinged front add a touch of sophistication to your office signage while the strong polycarbonate construction ensures durability and longevity. Upgrade your office signage with our flat front minimalist door signs today.

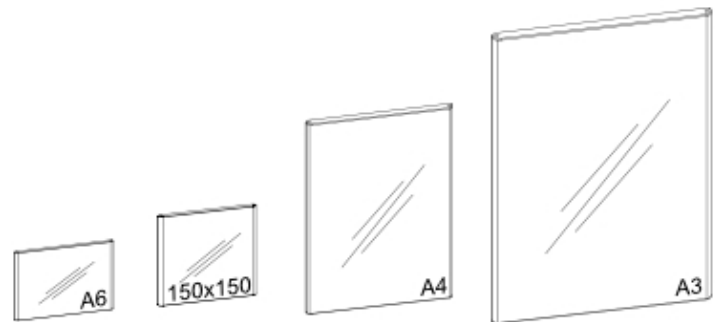
- Easy change sign insert with cassette style flip open front.
- A6 size at 10x15 cm (approx) and square format 15x15 cm are well sized for use as door signs for private offices, surgeries, and consultation rooms.
- A4 size is ideal for conference rooms and the display of certificates. A3 size is available for special order (please call for lead time) for general wayfinding and fire evacuation plans.
- Fixing screws and alternative VHB adhesive mounting tape (for smooth surfaces such as glass) are supplied with all models.
- Gloss finish crystal clear hinged front with strong polycarbonate construction for an elegant and practical office signage solution.

### More Information

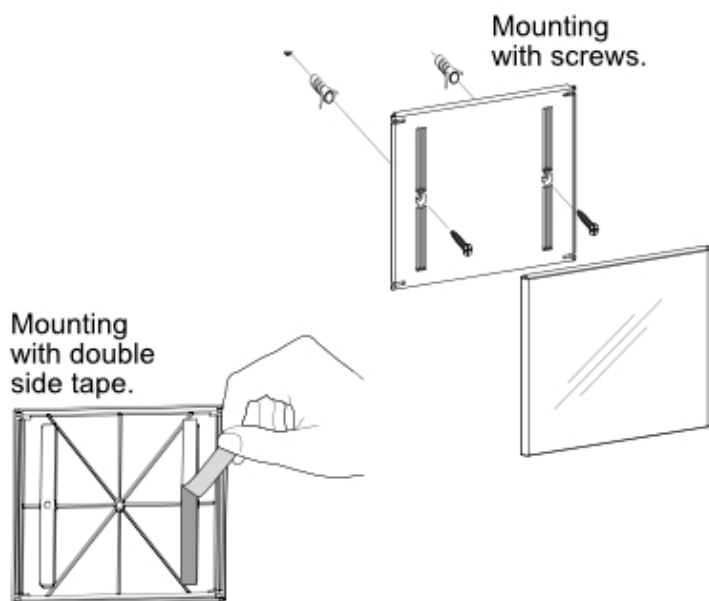
## SmartQuick corporate office name plates

SmartQuick produces high-quality and good-looking corporate name plates for doors and walls. The front panel of Smartquick is crystal clear polycarbonate, a high-quality polymer with excellent impact resistance against accidental knocks. The glossy surface finish creates a high-end look even when the insert is printed on plain copier paper. The back panel is white to create a good neutral backing to paper inserts to avoid distracting 'show through' when thinner printed inserts are used.

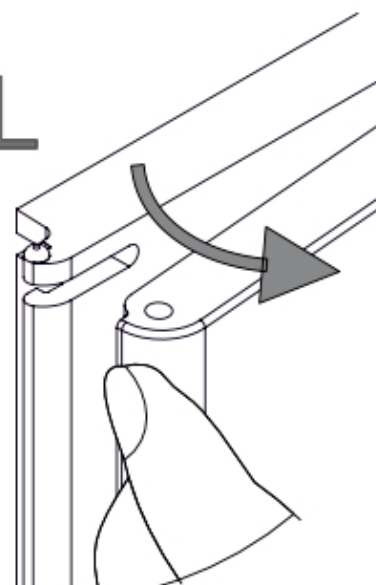
### Product Dimensions



## Assembly and Installation



**PULL**



## Delivery and Returns

- We offer a choice of delivery options tailored to the goods selected and your location, calculated for you automatically in the Checkout. When feasible, you will be offered options for Free, Economy or Next Day delivery.
- Any product returned by the purchaser must be unused and in its original packaging, which should be unmarked. If goods are received damaged or faulty we will take care of the problem.
- For detailed information about Delivery charges or Returns and refund policies, please click on the links below.

## Include in Google Feed

Yes



Postable	No
Small parcel	No
Oversize	No

