



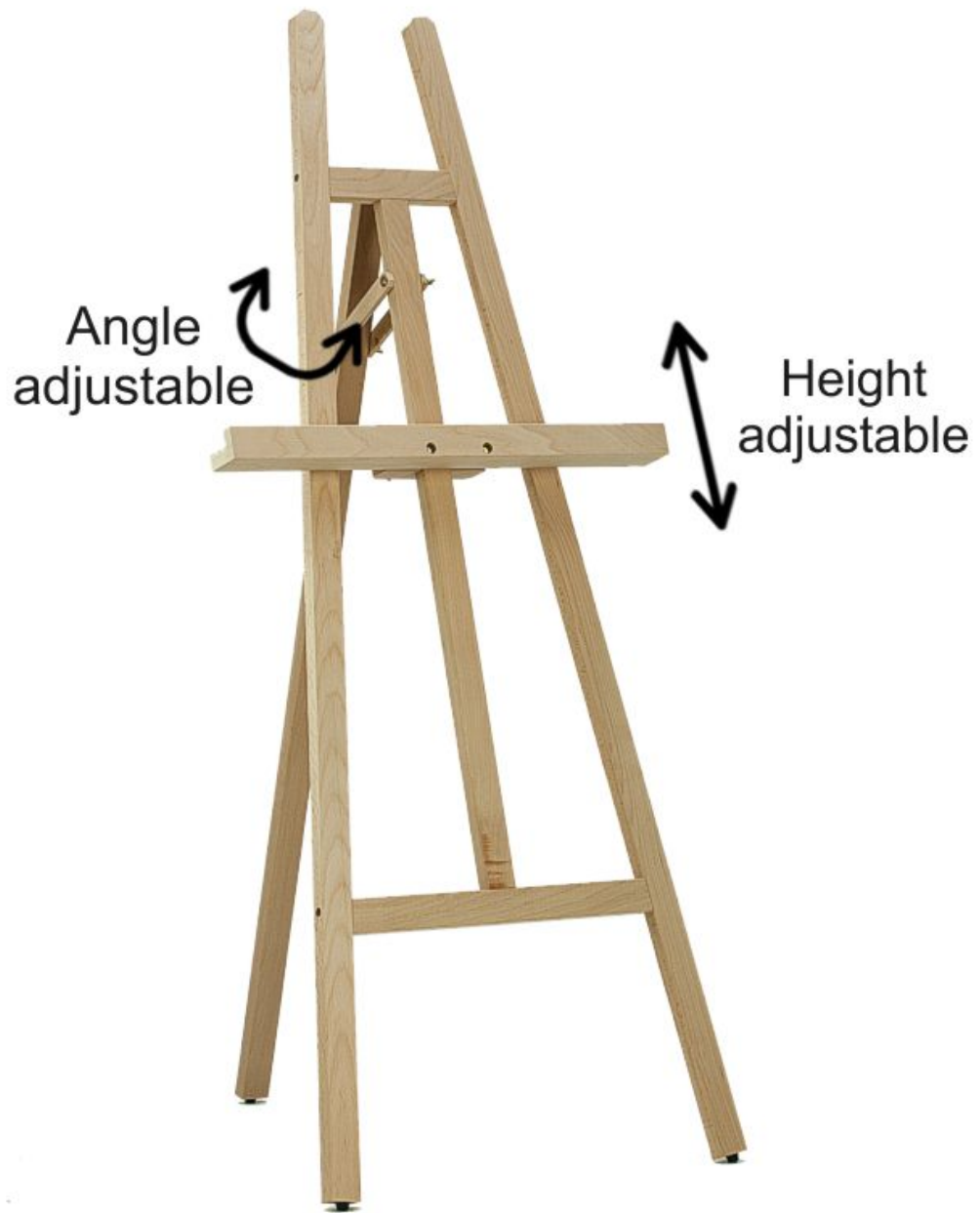
Easel Stand – Wooden Easel Stand

Short Description

- Easel stand for display boards, chalkboards, blackboards, paintings and more
- Height adjustable
- Made from beech wood for a luxury finish
- Chalkboard options or additions available

Product Images













REMIX CAFE

COFFEE

Espresso	1.50
Americano	2.00
Cafe Latte	2.25
Mocha	2.25
Cappuccino	2.50
Caramel	2.50
Macchiato	2.50

PASTRY

Cheesecake	2.50
Churo	2.50
Croissant	2.00
Muffin	3.50
Brownies	3.00





Description

Easel stand for creative and stylish displays

Our top-quality wooden easel stands are ideal for showcasing your own unique display. The height of this easel is easily modified so you can present your artwork, photography, promotional and retail displays to maximum effect.

We also offer a wide range of chalkboards and liquid chalk pens so you can have everything you need to create

your own specials, promotions and retail displays.

- On-trend solid wood easel for adding extra flair to your display
- Robust and sturdy A-Frame design
- Substantial 'lip' feature for placing your board or artwork
- Displays portrait or landscape
- Adjustable height
- Folds up for easy storage
- Made from beech wood sourced from sustainably managed forests

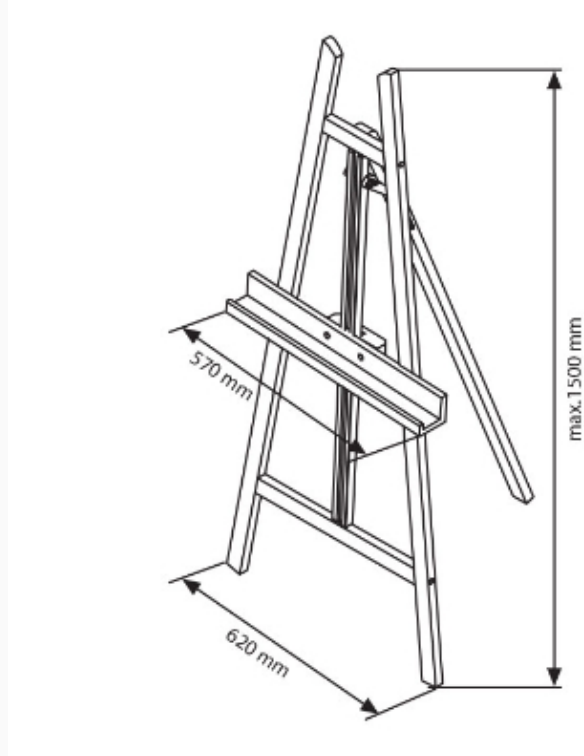
Our display easels suit all kinds of display boards

More Information

Our superior beech wood easel stands are ideal for showcasing your own unique display – get creative and use our height-adjustable wooden easel stand to support artwork, photography, and promotional or retail displays. Couple with one of our chalkboards to provide a stylish specials board in your boutique, hotel, cocktail bar, gourmet pub or restaurant. The easel requires assembly

- The height of the easel is 150cm
- The height is adjustable so the board can be set lower if required

Product Dimensions



Assembly and Installation

- Assembly is straight-forward: full instructions are included

Include in Google Feed

Yes

Postable

No

Small parcel

No

Oversize

No

