



Black cable, ceiling attachment and adjustable hook

Short Description

- All black ceiling attachment with black cable and adjustable height hook with 17kg safe load
- Black cable and fittings disappear into the background, especially suspended in ceiling voids
- Suitable for hanging signs, lights and other services as well as for shop window displays etc.

Product Images









Black screw on attachment and suspension wire

This neat black ceiling fixing is supplied with a strong hanging wire and a small adjustable-height hook to hang signage, services, decorations and displays from many types of ceiling, especially in dark ceiling voids where the suspension system needs to disappear from view.

The thimble-size ceiling anchor (12mm diam) is made in two parts so its base can be screwed onto a typical plaster ceiling. A plastic plug and screw are included. The domed part is then screwed back onto the base with the top of the wire securely captured within the ceiling anchor.

Easily adjustable black ceiling hook

The hook is self locking with a finger-tip release button to adjust the height and with a spring loaded gate at the mouth of the hook to prevent accidental unhooking. The hook is very neat at only 4cm high. There is a choice of 1m or 2m suspension wire also finished in matt black in order to blend into the background. Excess wire can be cut off once the height has been set - we advise using good quality cable cutters to reduce the risk of fraying (see Recommended Accessories)

Bee-Line Hook

Bee-Line is our new adjustable hook with black finish (also available in silver). It has the advantage of a straight through cable path, which enables extra hooks to be added to create multi-tier daisy-chain configurations if required. This offers a perfect hanging system for pictures in a gallery. One hook is included in the set and extra Bee-Line Hooks can be purchased as required (see Recommended Accessories)

Advantage of black suspension system

- Black cable combined with a black ceiling attachment and adjustable hook can disappear into the background more easily than silver, especially if there is a dark ceiling void such as in a theatre, modern restaurant or night club.
- Minimalist designer ceiling fixing with a satin black finish. The screw ceiling anchor is the size of a small sewing thimble.
- Either a 1m or 2m black suspension cable is included depending on which set is selected (see price table). The cable is strong yet slender black galvanised steel wire.
- Provided the ceiling attachment is secure this fitting together with the 1.5mm diam wire and hook can safely support 17 kg. For multiple hooks on a single cable the maximum recommended load per cable is 17kg. When two cables are used the overall maximum load may be doubled, provided that the weight is evenly spread.
- Two sets should be ordered per hanging sign, including for [banner rails](#) such as our Poster Snaps (which are also available with a smart black finish) and Poster Clamps.

More Information

About our Black adjustable height wire suspension hooks

The following products include the new **Bee-line suspension hook** with spring gate, which can be prised off is superfluous to your requirement. The matt black finish hook has an in-built self locking clutch mechanism with finger release button.:

U.SCA.1T.HOOK.B-B

All black suspension hook, 1m cable with screw ceiling fixing | Strong and easily adjustable | Blends into the background

U.SCA.2T.HOOK.B-B

Black suspension hook, 2m cable with screw ceiling anchor | Adjustable height | Disappears into the background

All hanging wire sets:

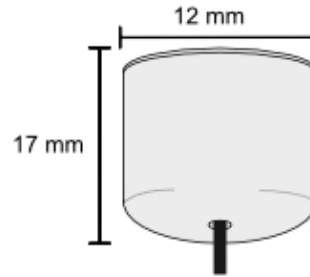
Screw Size: 4mm x 40mm (Imperial no. 8 x 1 1/2 inch)

Applications, load ratings and other ways to buy fittings

- These ceiling anchor kits can also be used in art galleries, in shop merchandising displays as well as in industrial applications such as suspending signage, acoustic panels and light fittings.
- This ceiling suspension kit is easily fitted to a ceiling or underneath any horizontal surface, using the screw and plug kit provided (depending on the surface). You must ensure that the surface you are screwing into is capable of holding the weight of the item you are intending to hang. Our quoted load ratings include a 5:1 margin of safety - and the ceiling fixing should do likewise.
- The Bee-Line Hook fitting itself is capable of holding up to 17kg..
- The 1.5mm galvanised wire (7x7 construction) will carry these loads safely. However, some ceilings may not take such loads without reinforcement or the use of specialist fixings in place of the screws and plastic plugs supplied. If in doubt please consult a skilled tradesman or professional.

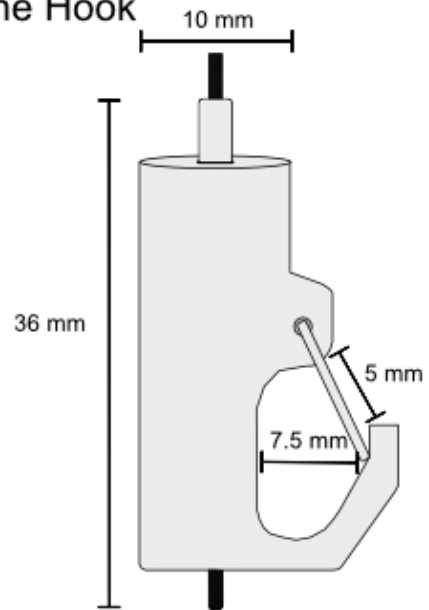
Height of Bee-Line hook is 36mm (1-1/2")
Thickness of cable is 1.5mm
Length of cable is either 1m or 2m. The longer cable is normally only required for very high ceilings

Screw Ceiling Anchor



Product Dimensions

Bee-Line Hook



Assembly and Installation

Please refer to product images

The ceiling fixing component (called a 'screw ceiling anchor') unscrews by hand so that the base can be screwed securely onto the ceiling and then the top of the thimble is reassembled, with the termination on the end of the cable remaining captive inside the thimble.

The hook is then introduced onto the cable tail and slid up to the desired height where it automatically locks in place thanks to its internal clutch mechanism. For fine adjustment or to lower or to remove the hook simply depress the button where the cable enters the hook. While depressed the clutch is released so the hook can slide easily along the cable. All our adjustable cable fittings work the same way.

Safe working loads

Please respect the recommended loads stated and use two or more cables for heavier items. This system is not suitable for hanging heavy plant and equipment (for example individual items weighing over say 70kg [150 lbs] - which will in any case require 4 wires when using Bee-line hooks.

Our safe working loads factor in a 5:1 margin of safety but we err on the side of caution when suspending items which would cause injury if they fell. Please note that the screw and plastic plug supplied may not be suitable for all site situations and it is the responsibility of the installer to evaluate the type of fixing best suited to the application in hand. The hole on the base is 4mm so an alternative fixing or bolt would need to fit through that size hole and have a small enough head to fit inside the anchor fitting.

Delivery and Returns

- We offer a choice of delivery options tailored to the goods selected and your location, calculated for you automatically in the Checkout. When feasible, you will be offered options for Free, Economy or Next Day delivery.
- Any product returned by the purchaser must be unused and in its original packaging, which should be unmarked. If goods are received damaged or faulty we will take care of the problem.
- For detailed information about Delivery charges or Returns and refund policies, please click on the links below.

Include in Google Feed

Yes

Postable

No

Small parcel

No

Oversize

No

