



Table name holders - tent shape

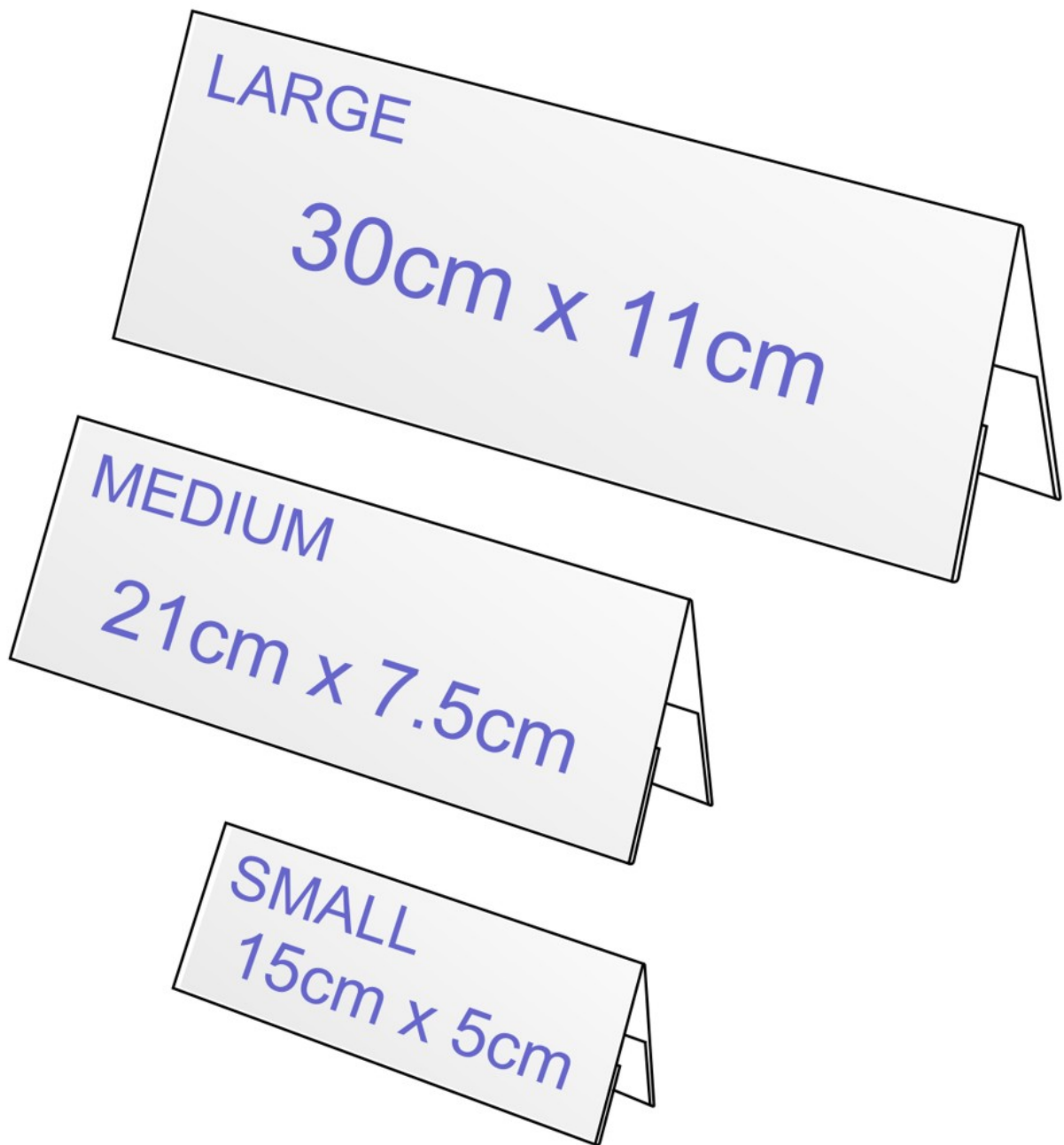
Short Description

- Plastic table name holders in 2 sizes: 30cm and 21cm wide
- Tent shape budget table name holders made from clear PVC
- Print your own table name holders and display single or double-sided

Product Images









Description

Tent shaped table name holder for your printed insert

Clear plastic table name holders in three popular sizes, tent-shaped with easy access side pocket.

- Made from thin clear plastic that does not crack when dropped.
- Sideload design allows for very easy insertion of your printed sign.
- Sits landscape on your tabletop.
- Print your own signs quickly with your desktop printer.
- Seminar table name holder, where the names change regularly.
- Large: 30cm wide x 11cm high (approx. 12"x4")
TNH.1/2A4 accepts a piece of A4 paper folded in half along the long edge.
- Medium: 21cm wide x 7.5cm high (approx. 8"x3")
TNH.1/2A5 accepts a piece of A5 paper folded in half along the long edge.
- Order in full boxes of 12 for a better discount.
- In stock ready to ship.

Additional Information

Delivery and Returns	<ul style="list-style-type: none">• We offer a choice of delivery options tailored to the goods selected and your location, calculated for you automatically in the Checkout. When feasible, you will be offered options for Free, Economy or Next Day delivery.• Any product returned by the purchaser must be unused and in its original packaging, which should be unmarked. If goods are received damaged or faulty we will take care of the problem.• For detailed information about Delivery charges or Returns and refund policies, please click on the links below.
Include in Google Feed	Yes
Postable	No
Small parcel	No
Oversize	No

