



Flex height adjustable floor stand for iPad and tablet devices

Short Description

- Height adjustable iPad stand with universal fittings for Samsung and other tablets
- Lockable cassette to protect your tablet and deter theft
- Suits most tablets from 9.7" to 10.1"
- Not suitable for iPad Pro versions

Product Images







Description

Flex height adjustable iPad and tablet stand

The Flex tablet stand is a great value-free standing floor stand, suitable for use with most of the best-selling tablet devices including Apple iPads (excluding Mini), Samsung Galaxy series and most 9.7-10.1 inch tablets. The adjustable height arm offers versatility and makes it easy to change the viewing height whilst the clever mechanism in the head allows the viewing angle to be quickly adjusted. The stand is made from aluminium – making it strong and still lightweight.

<https://www.sign-holders.co.uk/floor-stands-and-easels/ipad-and-tablet-floor-stands/flex-height-adjustable-floor-stand-for-ipad-and-tablet-devices.html>

23/04/2024

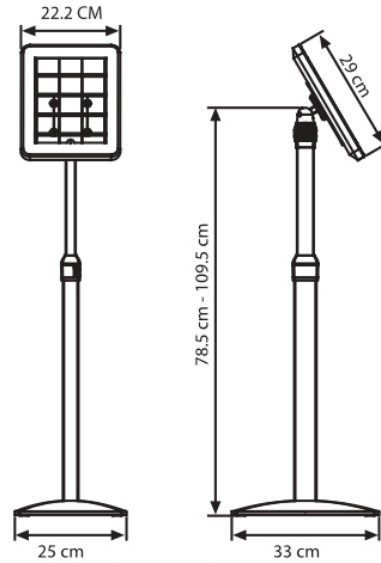
- Height adjustable — Min: 785mm Max: 1095mm
- Lockable box to keep iPad/tablet secure.
- Durable silver finish on the stand, with black holder box.
- Rotatable box for easy transition from landscape to portrait.
- Freestanding — simple assembly (tools provided) means you can get started straight away.
- To prevent unintended access to applications the case covers to the 'home' key. The tablet's loudspeaker and volume control are not restricted.
- Intended for indoor use.

Please note. This stand is not suitable for the new iPad Pro series of tablets.

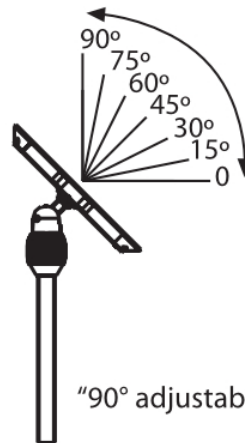
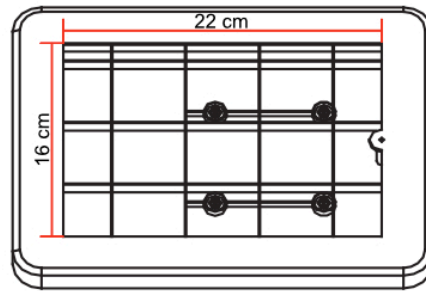
Additional Information

- Rectangular base ensures a stable floor stand
- Assembly of the stand involves attaching the base to the leg and fitting the iPad into the specially designed tablet holder. Assembly takes just a few minutes, tools are included.

Flex height adjustable floor stand for iPads and tablets



Window Aperture



"90° adjustable angle"

Product Dimensions

Delivery and Returns

- We offer a choice of delivery options tailored to the goods selected and your location, calculated for you automatically in the Checkout. When feasible, you will be offered options for Free, Economy or Next Day delivery.
- Any product returned by the purchaser must be unused and in its original packaging, which should be unmarked. If goods are received damaged or faulty we will take care of the problem.
- For detailed information about Delivery charges or Returns and refund policies, please click on the links below.

Include in Google Feed

Yes

Postable

No

Small parcel

No

Oversize

No

