



Menu display floor stand with curved leg

Short Description

- Curved menu display floor stand with black snap frame poster holder
- A4 & A3 curved menu stand in a classic black finish
- Simple assembly and quick poster change snap frame

Product Images



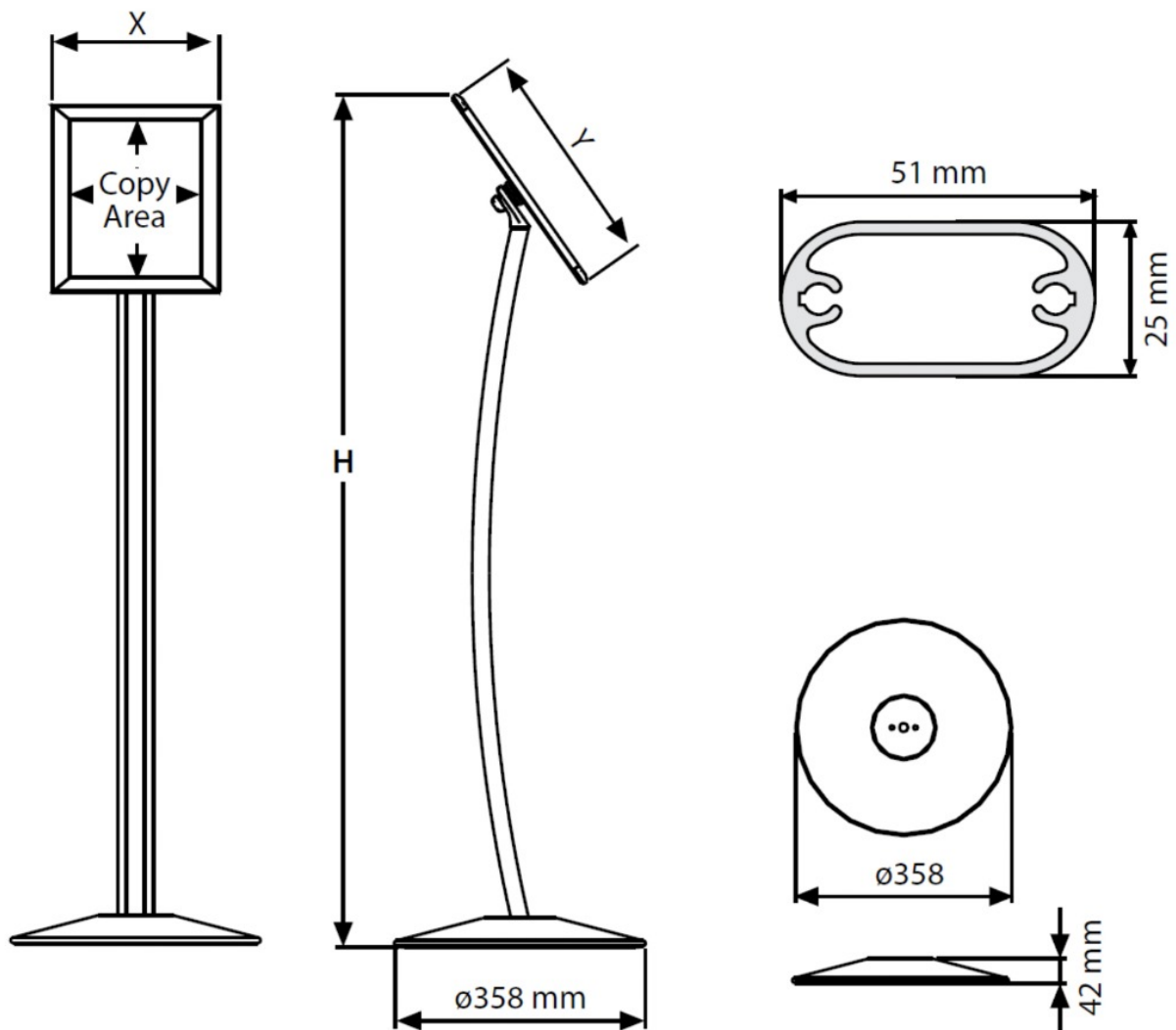












Description

Floor standing sign stand - Black A3 & A4 paper size

This angled menu display floor stand can be adjusted from portrait to landscape at the turn of a knob. The all-black design incorporates a snap frame for easy display of your printed media.

- **Presenta Curve** is a member of the sign-holders Presenta family of practical floor-standing menu boards.
- The gently curved leg and circular stable base make this a great tool to display A3 and A4 prints, menus or

smaller posters advertising events, meetings or conference wayfinding signs.

- The stylish black menu stand presents your information at the optimum reading height. The front-loading snap frame is quick and easy to use and comes complete with a clear cover sheet to slip your A3 or A4 print behind.
- Two A4 menus or prints can also be displayed side by side in the A3 model. The frame accepts paper or card - either pre-printed or produced on your office inkjet or laser printer.
- Swap over from portrait to landscape whenever you want - the ingenious swivel bracket behind the frame allows you to adjust and lock in moments.

Retail display floor stand with A3 & A4 poster frames

Whilst the curved menu stand looks great in any restaurant or food outlet, they make great retail display stands too. The high-quality black finish is very durable and stable too. Add that quality that your product deserves with these exceptional value easy to use snap frame floor stands.

Modern classic black menu floor stands

More Information

There is no better way to stand out from your competition than having sign stands that say quality products and services here. The present curve range of floor standing sign holders features a beautifully curved leg and easy to use black snap frame poster holder. Taller by design than your average menu sign stand about 120cm tall depending on A3 or A4 version. The snap frames also have the capability of switching from landscape to portrait in seconds by a clever mechanism on the back of the frame. Quite simply the nicest looking floor stand we stock.

Delivery and Returns

- We offer a choice of delivery options tailored to the goods selected and your location, calculated for you automatically in the Checkout. When feasible, you will be offered options for Free, Economy or Next Day delivery.
- Any product returned by the purchaser must be unused and in its original packaging, which should be unmarked. If goods are received damaged or faulty we will take care of the problem.
- For detailed information about Delivery charges or Returns and refund policies, please click on the links below.

Include in Google Feed

Yes

Postable

No

Small parcel

No

Oversize

No

